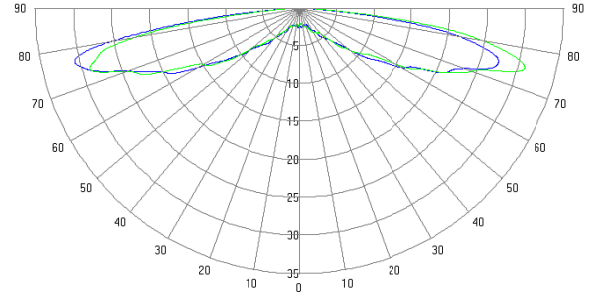


**SPECIALLY DESIGNED FOR NON-SMALL SIGNS AND LIGHTING BOX**

**Model No.: MFW110D2(1.2W)**

**Specifications ( Bezel-Free Series 4D )**

Input Voltage	DC24V
Watts	1.2W/mod
Luminous Efficacy	130lm/W
Beam Angle	170°
BIN:	5 SDCM
Modules Density	1.2pcs/ft; 4.0pcs/m
Back Tape	3M tape
Waterproof Grade	IP68
Operating Temp.	-25°~ +60 °C / -13° ~ +140 °F
Storage Temp.	-25°~ -70 °C / -13° ~ +158 °F
Cascade	20 mods single-ended power feed
	40modsdouble-ended power feed
Warranty	3 Years



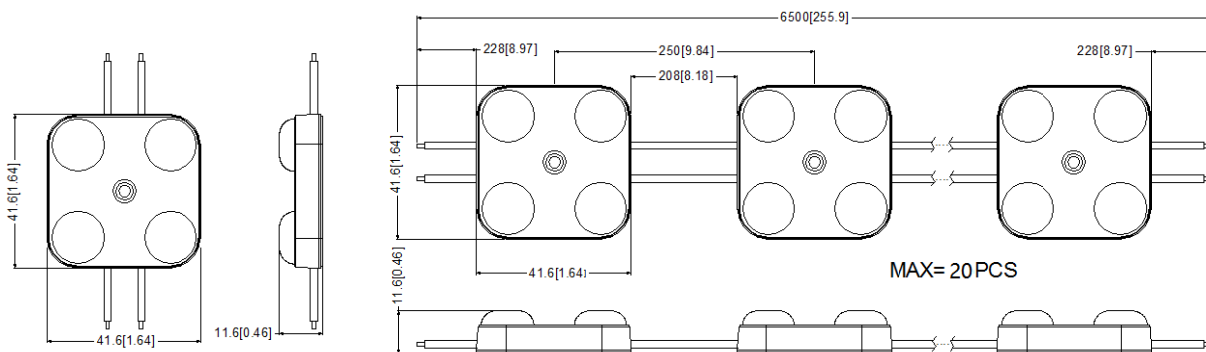
Luminous density distribution

**Features**

- Excellent waterproof with IP68
- Specially designed for non-small signs and lighting box with depth more than 6cm/2.4inches
- High efficacy LED chips to ensure the max brightness
- Premium components to ensure the stability
- Great heat dissipation design to ensure long life expectancy

Color	Part#	Color Temp	Module/M	Lumens	Lm/W	W/Module	Waterproof
Pure White	MFW110D1	7000K	4pcs/M	204 ± 5 lm/pc	170lm/W	1.2W	IP68
White	MFW110D1	4000K	4pcs/M	196 ± 5 lm/pc	163lm/W	1.2W	IP68
Warm White	MFW110D1	2400K	4pcs/M	166 ± 5 lm/pc	130lm/W	1.2W	IP68

**Profile Drawings(Unit:mm[inch])**



Unit: mm[Inch]

**Power Supply Maximum Loading Capacity \***

Power Supply	35W	60W	100W	150W	240W
By mod	23pcs	40pcs	67pcs	100pcs	160pcs
By Footage	19ft	33ft	55ft	82ft	131ft
By Meter	6m	10m	17m	25m	40m

**Packaging information**

Cascade	Bag	Box	Weight	Dimension
20pcs	40pcs	240pcs	14.5kg	45*27*27cm

\* Due to voltage drop, a maximum of 50 modules can be run before power needs to be reintroduced into the line of modules.

# EUP150A-1W24V-1

## Feature

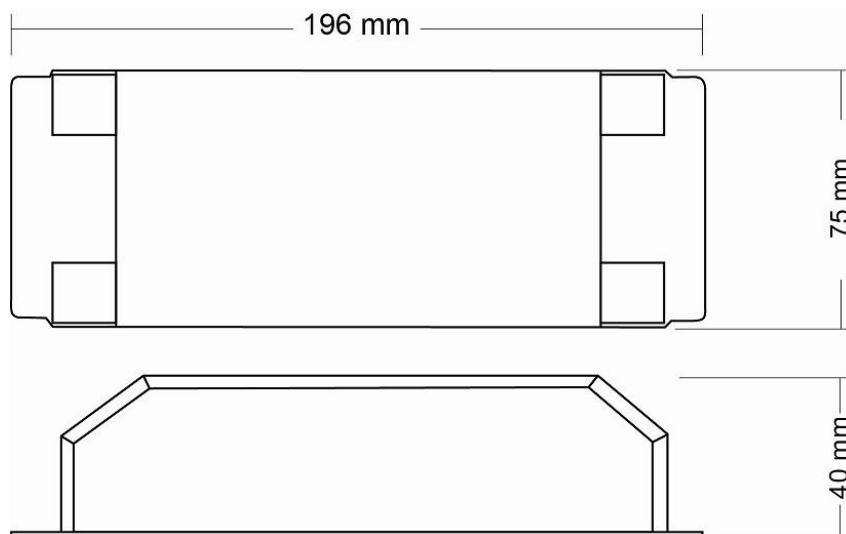
- Signal channel constant voltage, 24VDC output
- Support passive 1-10V analog dimming signal
- Dimming range from 0-100%, LED start at 1% possible
- Wide range voltage Input 100-240VAC
- High efficiency: up to 90%
- High PF:>0.95(115VAC)
- Dimming effect smooth, no flicker
- Output short circuit protection , over power protection, over current protection



## Technical Parameters

Output Channel	1channel
Input Voltage	100-240VAC
Input Frequency	50/60HZ
Dimming Mode	1-10VDC dimming
Output Voltage	24VDC
Output Power	150W
Output Current/Each Channel	6.25A
Efficiency(typ.)	90%
Power factor(typ.)	>0.95 (@115V)
Current consumption of 1-10V signal	0.25mA
G.W.(g)	662.5
Size	196mm*75mm*40mm
Working Temperature	-30°C - 50°C

## Dimension



# Wiring Diagram

